



Owners Manual

MAX-11/9 Upper Receiver

(Read this entire manual prior to installation and use of the MAX-11/9 Upper Receiver)

TABLE OF CONTENTS

Page

NFA Warning	1
Description/Features	1
Features	1
Dimensions and Weight	2
Installation	3 - 4
Operation	5
Cocking	5
Sight Adjustment	5
Upper Scope/Optics Rail	5
Lower Accessory Rail	6
Sling Attachment	6
Attachment of other flash suppressors	7
Attachment of a Sound Suppressor	7
Cleaning, Lubrication and Maintenance	7
Warranty, Repair and Limit of Liability	8
Referenced Manufacturers	8
Parts List and Diagram	9
Parts List	9
Parts Diagram	10

NFA Warning

This upper receiver is designed to be used with the SWD M-11/9 submachine gun. NFA (National Firearms Act, Title 26, United States Code) rules apply to its use and possession.

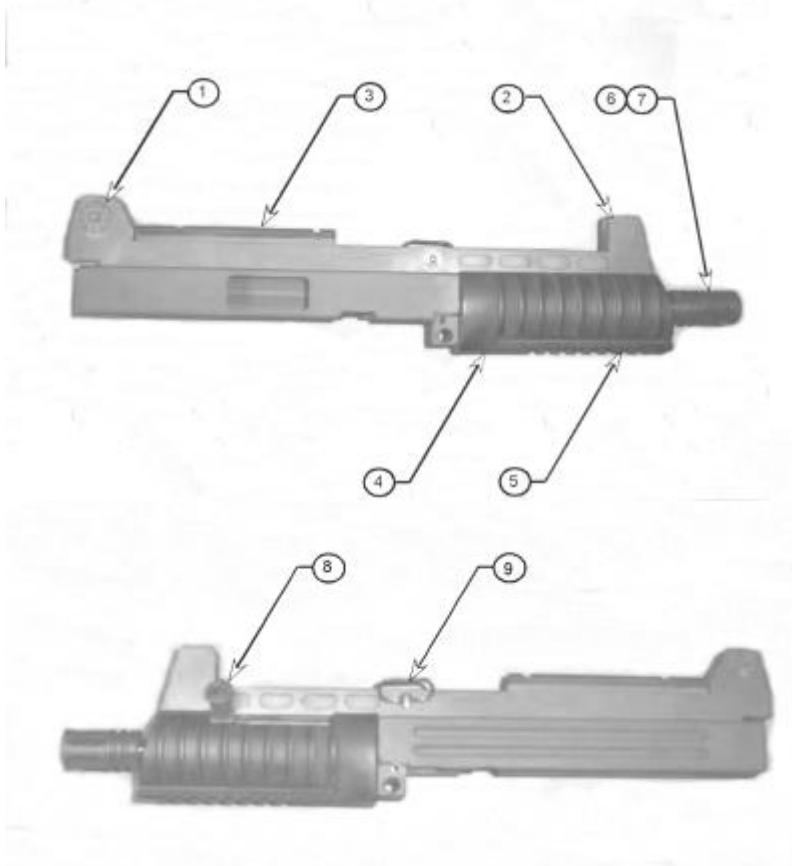
It is the owners/users responsibility to comply with all local, State and Federal laws and regulations in the use of this product.

Description/Features

The MAX-11/9 upper receiver is designed to provide additional capability to the SWD M-11/9 submachine gun and to provide an upper receiver suitable for use with after market stocks which require a higher line of sight.

Features:

- | | |
|-------------------------------|--|
| 1) Rear Sight , Adjustable | 6) 9.5 inch barrel length
(threaded 1/2-28 UNEF 2B) |
| 2) Front Sight , Adjustable | 7) Flash Suppressor |
| 3) Scope/Optics rail (Weaver) | 8) Front Sling Mount |
| 4) Front Hand Grip | 9) Cocking Handle (non-reciprocating) |
| 5) Lower Accessory Rail | |



Dimensions and Weight:

MAX-11/9 Upper Receiver (without bolt assembly):

<u>Weight</u>		<u>Dimensions</u>	
2.36 Lbs.		Length -	16.38"
		Width -	2.35" (1.90" across grip)
		Height -	3.34"

SWD M-11/9 Submachine Gun (for comparison purposes):

<u>Weight</u>		<u>Dimensions</u>	Stock	<u>Retracted</u>	<u>Extended</u>
Magazine Empty	4.26 Lbs.	Length -		13.00"	21.00"
Magazine Loaded	5.11 Lbs.	Width -		1.75" (at widest point)	
		Height -		12.00"	10.75"

MAX-11/9 Upper Receiver assembled to SWD M-11/9 lower receiver, wireform stock:

<u>Weight</u>		<u>Dimensions</u>	Stock	<u>Retracted</u>	<u>Extended</u>
Magazine Empty	5.53 Lbs.	Length -		20.50"	26.25"
Magazine Loaded	6.36 Lbs.	Width -		2.35" (1.90" across grip)	
		Height -		11.50"	11.50"

MAX-11/9 Upper Receiver assembled to SWD M-11/9 lower receiver, stock adapter and M-16 collapsible stock:

<u>Weight</u>		<u>Dimensions</u>	Stock	<u>Retracted</u>	<u>Extended</u>
Magazine Empty	5.87 Lbs.	Length -		23.75"	27.00"
Magazine Loaded	6.70 Lbs.	Width -		2.35" (1.90" across grip)	
		Height -		11.50"	27.00"

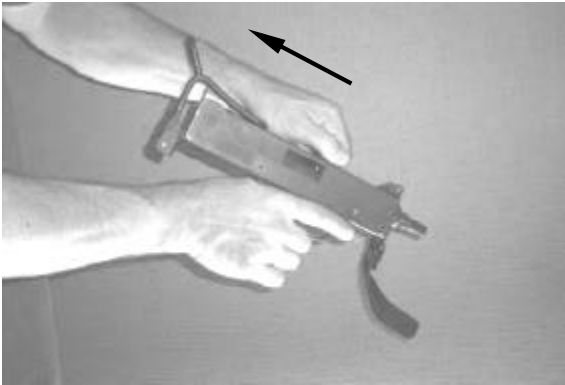
MAX-11/9 Upper Receiver assembled to SWD M-11/9 lower receiver and rate reducing buffer system (Slowfire, TASK, etc.):

<u>Weight</u>		<u>Dimensions</u>	Stock	<u>Retracted</u>	<u>Extended</u>
Magazine Empty	6.55 Lbs.	Length -		23.75"	27.00"
Magazine Loaded	7.38 Lbs.	Width -		2.35" (1.90" across grip)	
		Height -		11.50"	27.00"

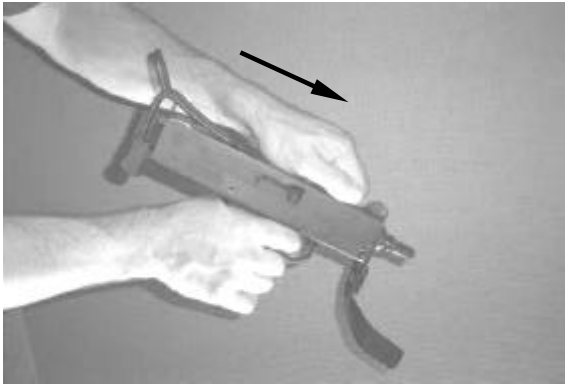
Installation

Note: Assembly requires your existing bolt assembly.

- ① Insure firearm is unloaded. Point in a safe direction. Remove magazine and pull bolt to the rear to insure chamber is empty.



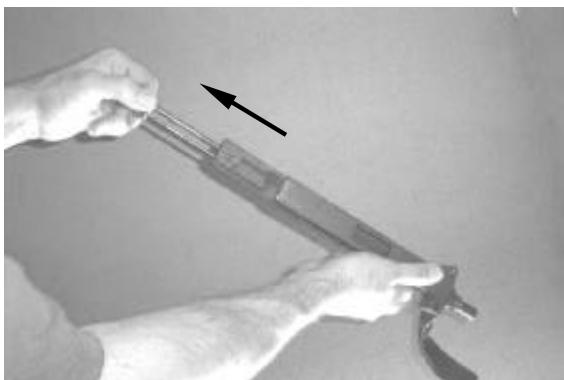
- ② While holding cocking knob, pull trigger and ease bolt forward into closed position.



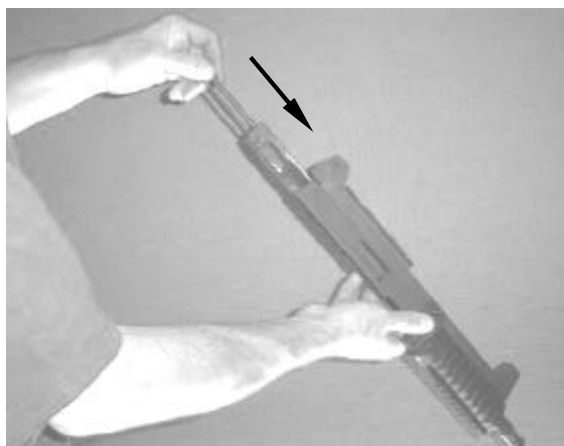
- ③ Remove front pushpin and detach upper receiver from lower receiver.



- ④ Retract bolt from upper receiver until cocking knob can be removed and remove bolt assembly.



- ⑤ Insert bolt assembly into MAX11-9 upper receiver. Cocking knob is not required.



- ⑥ Attach MAX-11/9 upper receiver to lower receiver and secure with pushpin.



Operation

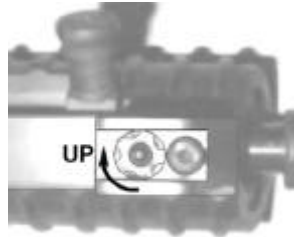
Cocking

Point firearm in a safe direction and keep finger away from trigger. Pull cocking knob to rear and release. Bolt will remain open and cocking knob will return forward. Firearm is ready for firing. If the firearm experiences a failure resulting in the bolt becoming stuck in the closed position, do not force the cocking knob to retract.



Sight Adjustment

One click equals $3/4$ " of elevation or windage at 50 yards or $1-1/2$ " at 100 yards. Rotating the front sight clockwise will raise the bullet impact point. Rotating the rear sight drum clockwise will move the bullet impact point to the left.



Upper Scope/Optics Rail

A rail for mounting a scope or other aiming device is located on the top of the upper receiver. The profile of the rail is a standard Weaver style and will accept Weaver or Mil-Std-1913 scope rings or mounting systems.



Lower Accessory Rail

A rail for attaching a front hand grip, laser aiming device, tactical flashlight or other device is integrated into the bottom of the front handgrip. The profile of the accessory rail is similar to Mil-Std-1913 dimensions. Any device that is mounted to the accessory rail that utilizes a one piece clamping system may result in a tight fit. Please note, some hand grips are not manufactured to the correct dimensions to mount on a Mil-Std-1913 rail. Insure the grip is correct before attaching. The recommended front grip is a Knight's Armament Vertical Grip part number 98053. Additionally, tactical flashlights designed for use with pistol accessory rails will fit on the accessory rail but will be a tighter fit.



Sling Attachment

The MAX-11/9 is provided with a forward sling attachment point for a one inch wide sling. The rear of the sling can be attached to the stock, if it is so equipped.



Attachment of other flash suppressors

The barrel is threaded 1/2-28 UNEF-2B. The flash suppressor is torqued to 40 inch/pounds and secured with Loctite Threadlocker 242@ . A lockwasher is intentionally not used in order to insure the mounting surface of the barrel remains square and burr free for optional use with a suppressor. When installing or removing the flash suppressor, make sure you firmly grasp the receiver from behind the grip. DO NOT HOLD THE GRIP. The amount of torque required to loosen the flash suppressor may damage the grip mounting screw. If you choose to replace the flash suppressor with another type of muzzle device, insure it is designed for use with 9mm caliber bullets.



Attachment of a Sound Suppressor

A sound suppressor may be attached to the MAX-11/9 by removing the flash suppressor. The threads on the MAX-11/9 barrel are 1/2-28 UNEF-2B (See paragraph above regarding installation and removal of flash suppressor). A thread adapter can be used to couple suppressors with other thread sizes. Most commonly, a 1/2-28 to 3/4-10 thread adapter is required to use the suppressor that mates to the stock SWD M-11/9. When using the suppressor with the thread adapter, regularly tighten the suppressor to the thread adapter. It will have a tendency to loosen during firing. This is typical of the 3/4-10 mounting thread and is not related to the design of the MAX-11/9 upper receiver.



Cleaning, Lubrication and Maintenance

To insure safe and reliable performance, clean and lubricate the complete firearm after each use. Cleaning and lubrication should be carried out per the original manual provided with the SWD M-11/9 with the following additional requirements:

For optimal performance, the upper receiver requires a minimal use of lubrication. The cocking spring and slot should not be lubricated. The cocking mechanism utilizes a nylon roller that does not require lubrication.

Warranty, Repair and Limit of Liability

Note: Use of reloaded/remanufactured ammunition or steel or aluminum cased ammunition will void your warranty.

The MAX-11/9 Upper Receiver has been manufactured in a manner to insure it is defect free and durable. LAGE Manufacturing, LLC warrants to the original purchaser that this product is free from defects in materials and workmanship for the period of One Year from the original date of purchase. This warranty does not apply to damage due directly or indirectly, to misuse, abuse, negligence or accidental, repairs or alterations outside our facilities or to lack of maintenance. We shall in no event be liable for death, injuries to persons or property or for incidental, contingent, special or consequential damages arising from the use of this product. The above limitation of exclusion may be subject to state law and may not apply to you. By using this product you agree to these terms. If you do not agree to these terms, do not use this product. As owner of this product, it is your responsibility to insure a copy of this manual is transferred with this product to subsequent owners.

To utilize this warranty, the MAX-11/9 Upper Receiver must be returned to LAGE Manufacturing, LLC packaged in a manner to preclude damage during transit and with shipping charges prepaid. Proof of purchase date, and a written description of the complaint must be included. If upon inspection, the complaint is verified, we will either repair or replace the product at our election or we may elect to refund the purchase price if we cannot readily and quickly provide a replacement. We will return the repaired product at our expense, but if we determine that there is no defect, or that the defect was a result of causes not within the scope of this warranty, then you must bear the cost of returning the product.

This warranty gives you specific legal rights and you may have other rights, which vary from state to state.

Referenced Manufacturers

[Knight's Armament Vertical Grip part number 98053](#)

Knight's Armament Co. / Knight's Manufacturing Co. ,
7750 9th Street S.W., Vero Beach, Florida 32968

[Loctite Threadlocker 242](#)

Loctite is a trademark of Loctite Corp, 1001 Trout Brook Crossing
Rocky Hill, CT 06067

Parts List and Diagram

Parts List

<u>Item #</u>	<u>Part Number</u>	<u>Description</u>	<u>Price*/Each</u>
1	CM11-012	Rear Sight Adjusting Screw	\$ 2.00
2	CM11-011	Rear Sight Aperture	\$ 12.00
3	CM11-014	Rear Sight Flat Spring	\$ 5.00
4	CM11-013	Rear Sight Drum Roll Pin	\$ 1.00
5	CM11-010	Rear Sight Windage Drum	\$ 4.00
6	CM11-016	Rear Sight Detent	\$ 1.00
7	CM11-015	Rear Sight Detent Spring	\$ 1.00
8	CM11-100	Upper Sight Rail	\$ 200.00
9	CM11-140	Modified Upper Receiver	\$ 107.90
10	CM11-050	Scope Rail Mounting Screws, 2 required	\$ 1.00
11	CM11-040	Scope Rail	\$ 21.00
12	CM11-051	Upper Rail Mounting Screw, 2 required	\$ 1.00
13	CM11-030	Sling Swivel and Retaining Nut	\$ 12.50
14	CM11-122	Cocking Piece Assembly	\$ 40.78
15	CM11-130	Cocking Spring	\$ 8.00
17	CM11-053	Barrel Retaining Pin	\$ 1.00
18	CM11-057	Cocking Knob Screw	\$ 1.00
19	CM11-112	Cocking Knob	\$ 10.00
20	CM11-056	Cocking Piece Roller	\$ 1.00
21	CM11-150	Barrel	\$ 103.90
22	CM11-137	Front Grip Assembly	\$ 36.68
23	CM11-020	Front Sight Post	\$ 4.00
24	CM11-022	Front Sight Post Detent	\$ 1.00
25	CM11-021	Front Sight Post Detent Spring	\$ 1.00
26	CM11-052	Grip Screw	\$ 1.00
27	CM11-151	Flash Suppressor, 9mm	\$ 23.00
28	CM11-200	Owners Manual MAX11-9	\$ 1.00

*Price and availability subject to change without notice.

Parts Diagram

